

Seal-Fast™

Plate-Seal Protection System

Plate-Seal is the fastest, safest, and most reliable way to protect critical equipment in places where wire, cable, air hoses, liquid hoses, and fuel and oil lines pass through openings and are in contact with sharp panel surfaces. The flame resistant Plate-Seal protects against chafing and abrasion, and seals out heat, fumes, dust, moisture, and other contaminants. The rubber grommet portion grips tightly to create an environmental seal that provides a clean and organized appearance. Plate-Seal mounts to a panel using rivets or screws and is offered in stock sizes which can be customized to fit many applications.



Features and Benefits:

- Fast and easy to install with use of screw, rivets, or optional PSA
- Encapsulated with NBR to keep unwanted contaminants from entering through hole or cutout area
- Protects wire, cables, and hoses from chafing and abrasion
- Enhances appearance
- No need for extended cure time adhesives or other auxiliary material
- Accepts a wide range of cable diameters
- UV and ozone resistant
- Excellent resistance to abrasion, compression set, flex cracking, impact, tear, and vibration

Applications:

- Aircraft galley equipment
- Avionics
- Bulkhead
- Automotive
- Railway
- Telecommunications
- Marine
- Trailers and motor homes
- General industrial



Performance:

- Resistant to fluids (solvents, fuels, and oils) per MIL-R-3065D, MIL-R-6855, and MIL-R-2765
- Continuous operating temperature: -50°F to 320°F (-45°C to 160°C)
- Intermittent operating temperature: -70°F to 400°F (-57°C to 204°C)
- Durometer range: 20 to 95 Shore A
- Elongation range: 350% to 650%

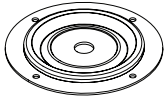


Product Sizes per Product Type:

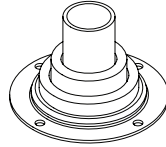
- For hole diameters and cutouts from 1" to 5" (25.4mm to 127mm)
- For standard cable bundles or hose diameters from 0.25" to 1.5" (6.4mm to 38.1mm)
- Choose seal inside diameter that is 1/16" to 1/8" (1.59mm to 3.18mm) smaller than bundle/hose diameter.
- Largest bundle/hose diameter should be at least 3/8" (9.53mm) less than seal outside diameter.
- Custom solutions per application

Plate-Seal Specifications and Ordering Options

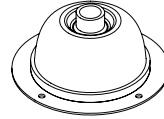
Seal Types



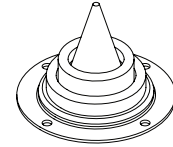
"A" Single Seal



"B" Bellow Seal

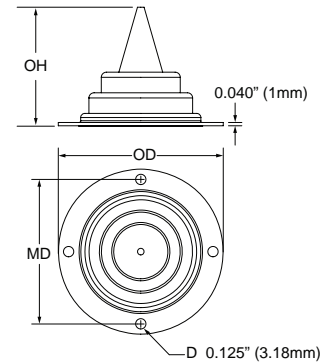
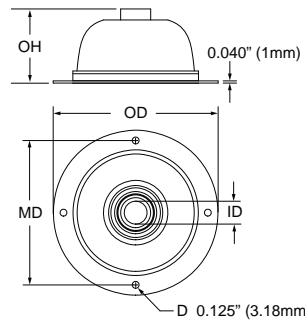
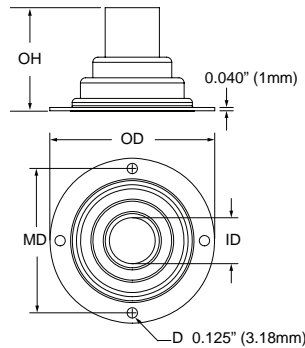
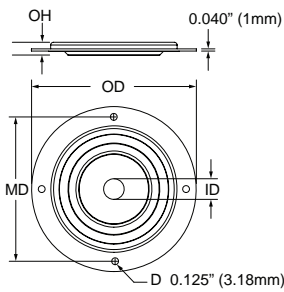


"C" Dome Seal



"D" Pointed Bellow Seal

Standard Dimensions



Part Numbers

DTi z Part Number	Seal Type	"OD" Overall Diameter		"OH" Overall Height		"ID" Seal Inside Diameter		Seal Outside Diameter		Seal Height		"MD" Mounting Hole Distance	
		inches	mm	inches	mm	inches	mm	inches	mm	inches	mm	inches	mm
PS-1.5-A-BL	A	1.5	38.1	0.16	4.1	N/A	N/A	1.00	25.4	0.12	3.0	1.25	31.8
PS-2.0-A-BL		2.0	50.8	0.16	4.1	N/A	N/A	1.55	39.4	0.12	3.0	1.75	44.5
PS-3.0-A-BL		3.0	76.2	0.16	4.1	N/A	N/A	2.25	57.2	0.12	3.0	2.625	66.7
PS-3.0-A-25		3.0	76.2	0.16	4.1	0.25	6.4	2.25	57.2	0.12	3.0	2.625	66.7
PS-3.0-A-38		3.0	76.2	0.16	4.1	0.375	9.5	2.25	57.2	0.12	3.0	2.625	66.7
PS-3.0-A-50		3.0	76.2	0.16	4.1	0.50	12.7	2.25	57.2	0.12	3.0	2.625	66.7
PS-3.0-A-63		3.0	76.2	0.16	4.1	0.625	15.9	2.25	57.2	0.12	3.0	2.625	66.7
PS-3.0-A-75		3.0	76.2	0.16	4.1	0.75	19.1	2.25	57.2	0.12	3.0	2.625	66.7
PS-3.0-A-95		3.0	76.2	0.16	4.1	0.95	24.1	2.25	57.2	0.12	3.0	2.625	66.7
PS-3.0-A-118		3.0	76.2	0.21	5.3	1.18	30.0	2.385	60.6	0.17	4.3	2.625	66.7
PS-4.0-A-BL		4.0	101.6	0.10	2.5	N/A	N/A	3.0	76.2	0.06	1.5	3.625	92.1
PS-4.0-A-100		4.0	101.6	0.10	2.5	1.0	25.4	3.0	76.2	0.06	1.5	3.625	92.1
PS-4.0-A-180		4.0	101.6	0.10	2.5	1.8	45.7	3.0	76.2	0.06	1.5	3.625	92.1
PS-4.5-A-150		4.5	114.3	0.29	7.4	1.5	38.1	3.4	86.4	0.25	6.4	4.0	101.6
PS-4.5-A-212		4.5	114.3	0.29	7.4	2.12	53.8	3.4	86.4	0.25	6.4	4.0	101.6
PS-6.0-A-BL		6.0	152.4	0.10	2.5	N/A	N/A	5.0	127	0.06	1.5	5.5	139.7
PS-2.0-B-42	B	2.0	50.8	1.15	29.2	0.416	10.6	1.2	30.5	1.11	28.2	1.75	44.5
PS-3.0-C-42	C	3.0	76.2	1.35	34.3	0.416	10.6	2.062	52.4	1.31	33.3	2.625	66.7
PS-1.5-D-BL	D	1.5	38.1	0.64	16.3	N/A	N/A	0.50	12.7	0.60	15.2	1.25	31.8
PS-2.0-D-BL		2.0	50.8	0.50	12.7	N/A	N/A	0.8	20.3	0.46	11.7	1.75	44.5